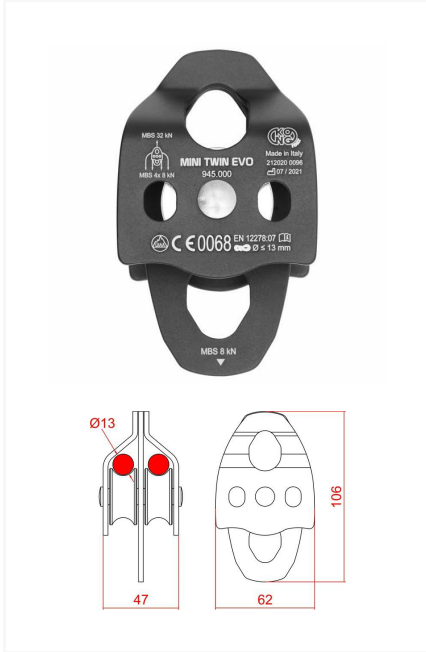


PULLEYS

MINI TWIN EVO



ALUMINUM PULLEY | DOUBLE WHEEL

Compact aluminum pulley with double wheel, mobile side plates and high efficiency (91%) ball bearing.

The lower shaping of side plates allows the locking of the self-locking knots.

Equipped with two attachment points for use in complex lifting systems.

For ropes up to 13 mm diameter.

High quality product, made in Italy!

Usage activities

- MOUNTAINEERING
- ADVENTURE PARKS
- CABLEWAY EVACUATION
- CONFINED SPACES
- CABLEWAY EVACUATION
- FIREBRIGADES AND CIVIL PROTECTION
- MOUNTAIN RESCUE

ITEM CODES

Item	CE EN	Body material	Wheel material	Efficiency (%)	▲ (g)	Load (kN)	Ball Bearing	Bush	Color	Main dimension (mm)	Max rope diameter (mm)	Notes
94500NP00KK	EN 12278:07	Alu alloy	Alu alloy	91	171	32	Yes	No	Black	106	13	/
94500OP00KK	EN 12278:07	Alu alloy	Alu alloy	91	171	32	Yes	No	Orange	106	13	/

Copyright © KONG spa | P.IVA 00703180166

Via XXV Aprile, 4 23804 Monte Marengo (LC) Italy | Tel. +39 0341 630506